

## Consider Universal Fabric Structures' Advantages:

For more than 30 years, we have been offering quality military structures to satisfy a variety of project requirements. We are committed to providing customer-driven solutions, and our track record proves it.

- **Quick Availability On-Site.**

Our structures can be built directly on site with limited or no foundations providing quick access to your new space. Our MSS models can be prepackaged as complete systems in airlift-capable, 600 cubic ft. ISU containers or other packaging per your specifications.

- **Cost Effective, Quality Solutions.**

Our structures are competitively priced, at a fraction of the cost of conventional construction. Plus, Military Shelter System structures are modular so you can add length as you need. Our ease of constructing and dismantling means you can re-locate as necessary. As a result, invest only what you need for the current project, and expand upon or reuse the investment at a later date.

- **Flexibility To Adapt To Virtually Every Need.**

We offer a broad selection of structures and sizes in aluminum or steel construction with different finishing accessories and options such as insulation; sidewalls; equipment, cargo and personnel doors; windows; HVAC; and a variety of outer fabrics and liners – all as turnkey solutions. Further, our structures are crane-liftable, providing ultimate flexibility for your unique space coverage needs.

- **Technical Superiority.**

We bring you the most technically advanced pre-engineered fabric structures available in the world today, designed in adherence to strict international engineering standards and codes. Our structures are built to withstand hurricane force winds and harsh climatic conditions. They meet the California Fire Marshall NFPA 701 and UL214 fire safety codes.

- **Industry Leading Quality.**

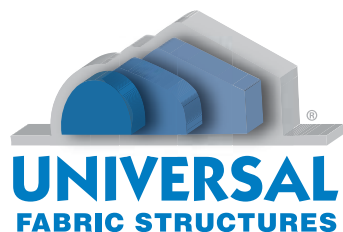
Our industry-leading quality assurance program, combined with a state-of-the art computer aided design and drafting (CADD) capability, ensures the highest standards of excellence in product development. We are an ISO 9001 certified company.

- **Professional Service.**

We provide unparalleled worldwide service and support including specialists to supervise the complete process with follow-up and committed project management.



**MILITARY SHELTER SYSTEMS...**  
**SHELTER BUILT TO ORDER.**



### Distinctive Solutions!

2200 Kumry Road  
Quakertown, PA 18951  
TEL. +1 215-529-9921  
1-800-634-8368  
FAX +1 215-529-9936  
E-MAIL [sales@ufsinc.com](mailto:sales@ufsinc.com)  
[www.ufsinc.com](http://www.ufsinc.com)



© 2007 Universal Fabric Structures, Inc.

**GSA** Contract Holder  
Contract GS-07F-0032T





RAPID DEPLOYMENT MILITARY FACILITIES



AIRCRAFT HANGARS

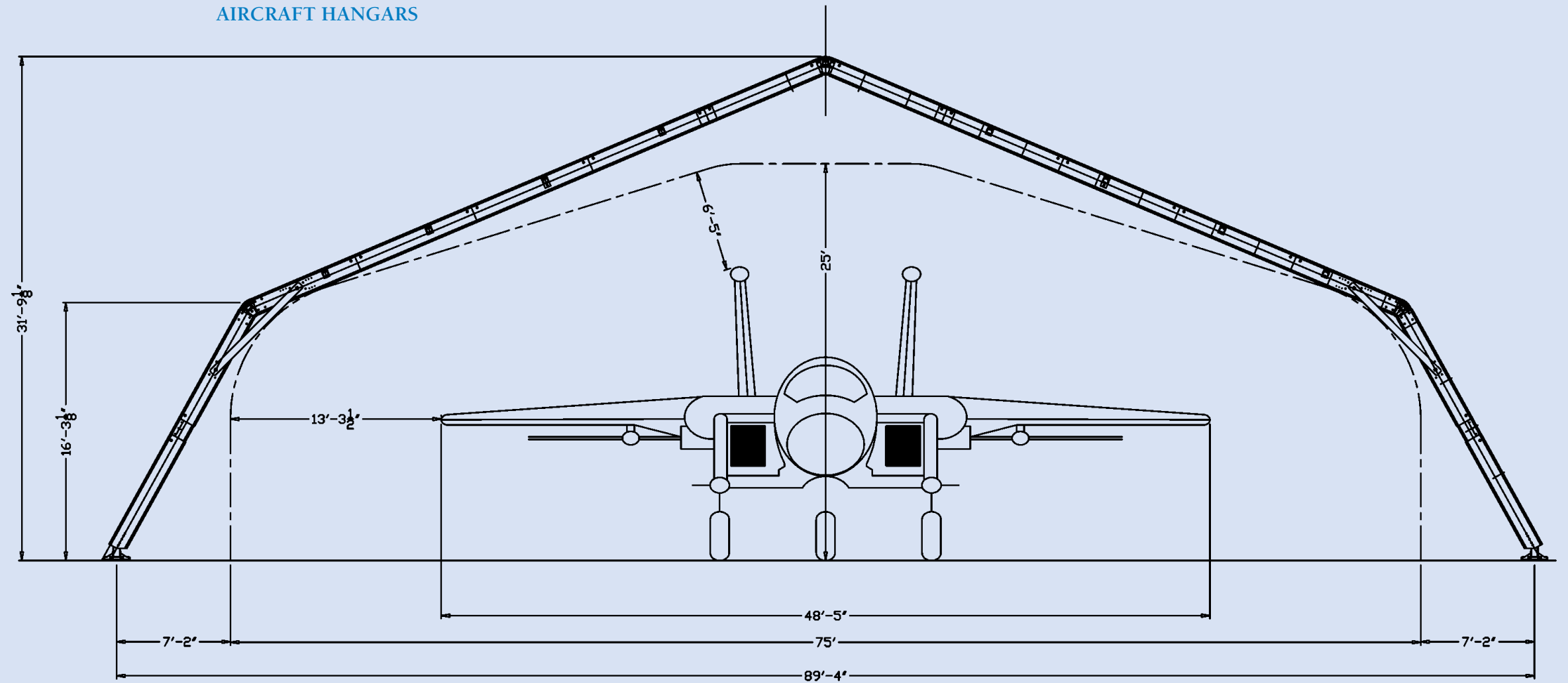
*Durable, quick shelter solutions  
to meet all mission requirements.*



TRANSPORTATION



SPORTHALL™ RECREATION CENTERS



MAINTENANCE

The Universal Military Shelter System (MSS) delivers rapidly deployable, quality shelter solutions to fit the needs of military operations throughout the world. These pre-engineered fabric tensioned structures have passed the rigorous standards of the United States' Military, and have been field tested in more than 35 countries in climates ranging from the deserts of the Middle East to the Arctic Circle.

Modular and easily transported, the MSS offers versatility at a competitive price. Available in a variety of styles, sizes, and colors, with the capability of integrating standard accessories, the Universal MSS is the ideal shelter solution for today's military.



ALL-SITE™ WAREHOUSING/STORAGE



CUSTOM APPLICATIONS